

AVS2000, AVSFLASH, AVS2000 FLASH

Sounders and Beacons



AVS2000/W White color piezo indoor sounder:

AVS2000/R Red color Piezo indoor sounder: AVS2000 has a round shape which allows a wall or ceiling fixing. It has also a white off color which makes it discrete in the installation. It operates with a piezo-electric cell that guarantees a poor consumption. Its side hearing ensures an excellent broadcasting of the sound. 2 sound level settings. Sound power: 90 to 100dB @1meter.

AVS2000/R: red version.

EN54-3 according to CPD

Weight: 200g	Operating t°: 0 to 50°C
Dimension: Ø104; 84mm high	Operating voltage: 15-60Vdc
IP rating: 31	Consumption (24Vdc) : 6mA min to 25mA max



AVSFLASH: Xenon visual beacon from the 05 range.

Its round shape allow a very good wall or ceiling mounting.

In the case of wall mounting it is essential that the fixing holes are set on an horizontal line. For the ceiling mounting, no specific recommendation in this regards are given.

AVSFLASH works thanks to a high luminosity embedded led over an angle of 360° allowing a wide surface of diffusion.

Weight: 190 g	Operating voltage: 12Vdc to 48Vdc
Dimension: Ø 104; 84 mm	Max Consumption: 24mA under 24Vdc 26mA under 48Vdc
Material: ABS	Frequency: 0,6 Hertz
IP rating: 21	Operating Temperature: 0°C to 50°C with relative humidity < 93%



AVS 2000 FLASH: can be connected to the sounders of the SD3 range 05 on conformity with the norm EN 54-3.

Because of its specific technology, it is recommended to install the device on the wall and to imperatively set the visual peak in direction to the ground to benefit from the best visual broadcasting possible.

Its red color allows to adapt the device in most kind of environment.

The AVS 2000 FLASH works thanks to a high luminosity embedded led over an angle of 120° allowing a large surface of coverage.

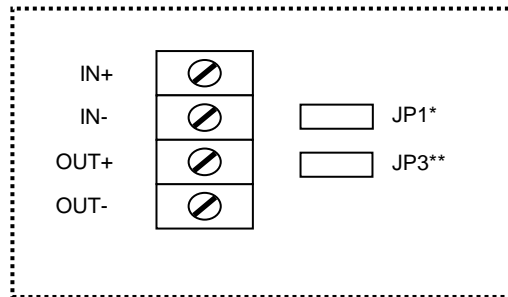
EN54-3 according to CPD

Weight: 50g	Operating voltage: 12Vdc to 48Vdc
Dimension: 130 x 109 x 37 (H x W x D)	Consumption: 44mA under 24Vdc 50 mA under 48Vdc
Material: ABS	Frequency: 0,6 Hz
IP rating: 21	Operating Temperature: 0°C to 50°C with relative humidity < 90%

AVS2000, AVSFLASH, AVS2000 FLASH

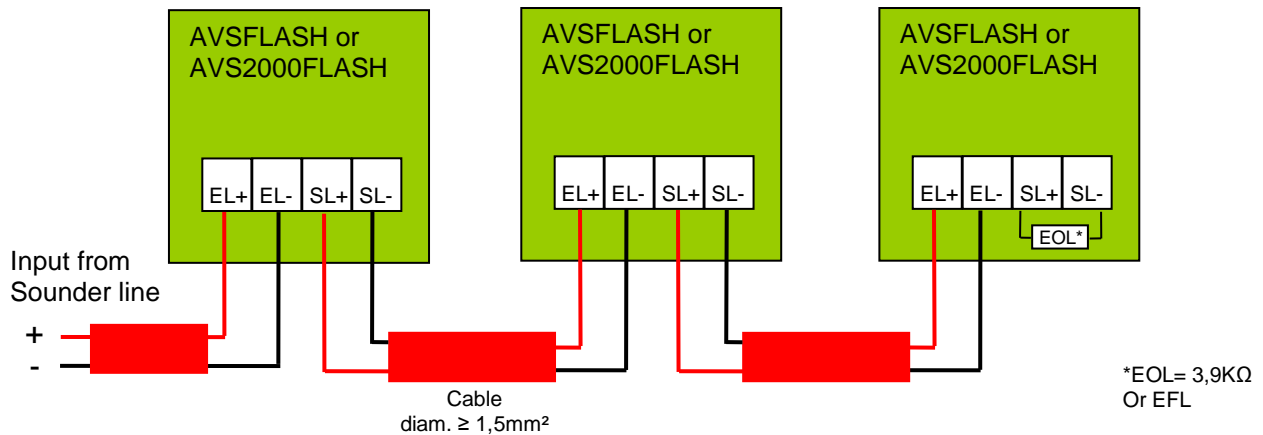
Sounders and Beacons

AVS 2000/W, AVS 2000/R



* Max sound level: jumper CV1 on
 ** Min sound level: jumper CV1 and CV3 on

AVS FLASH, AVS 2000 FLASH



REFERENCE

AVS 2000/W
 AVS 2000/R
 AVS FLASH
 AVS 2000 FLASH

DESCRIPTION

High powered piezoelectric sounder for indoor use (white colour), possibility to select 6 tones, lateral hearings, 95db @ 1 m
 High powered piezoelectric sounder for indoor use (red colour), possibility to select 6 tones, lateral hearings, 95db @ 1 m
 Xenon beacon high luminosity with 360° angle, from 12Vdc to 48Vdc
 Combined sounder and flash for indoor use, 95db @ 1m.

